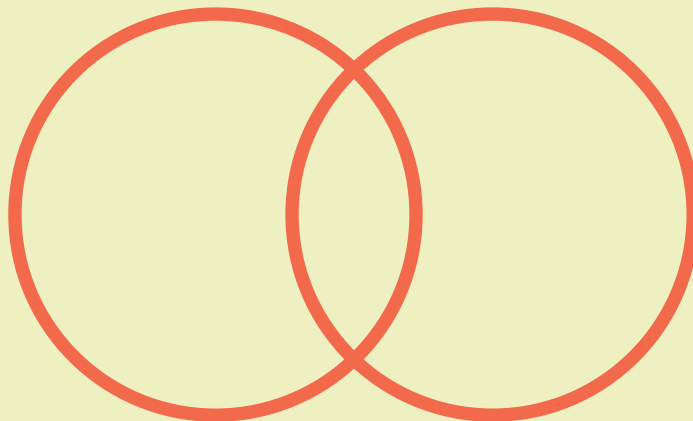




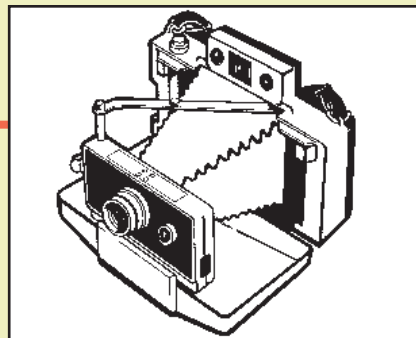
**CLASSIC
CAMERAS**

A Guide to Polaroid's
Discontinued
Folding, Non-Folding
Pack and Roll Film Cameras



[Click here to search for a camera](#)

Camera Model **Model 100**



Year Introduced 1963

**Suggested
List Price** \$164.95

International Name NA (Do not confuse this with the 100 1955 roll film camera.)

Film Type(s) Color ISO 80 (Type 108, 669), ISO 100 (Type 679, 689)
B&W ISO 3000 (Type 107, 667)
B&W ISO 80 (Type 665 Pos/Neg) ISO 100 (Type 664)

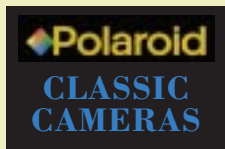
TRADE UP
Camera trade-in info.

Battery (1) 4.5v. Available through Polaroid Customer Service

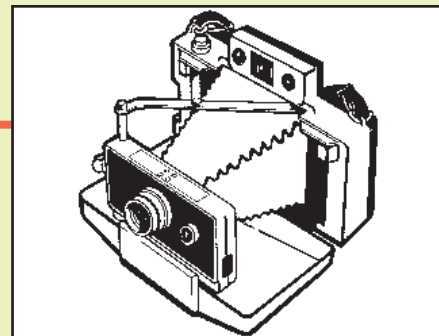
QUICK FIX
Camera repair info.

Flash Optional flashgun 268 (with blue shield). Uses M3 Clear Bulbs (now discontinued) and (1) AA 1.5v battery. Polaroid Customer Service has information about availability and alternative flash sources.

Description Folding pack camera. Folding split-image viewfinder. Lighting selections include ability to take indoor B&W photos without a flash. Metal housing with tripod socket. Three-element glass lens. Ideal for image or emulsion transfer, realtors and landscape artists.



Camera Model Model 101



Year Introduced 1964

**Suggested
List Price** \$134.95

International Name NA

Film Type(s) Color ISO 80 (Type 108, 669), ISO 100 (Type 679, 689)
B&W ISO 3000 (Type 107, 667)
B&W ISO 80 (Type 665 Pos/Neg) ISO 100 (Type 664)

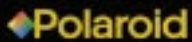
TRADE UP
Camera trade-in info.

Battery (1) 4.5v. Available through Polaroid Customer Service

QUICK FIX
Camera repair info.

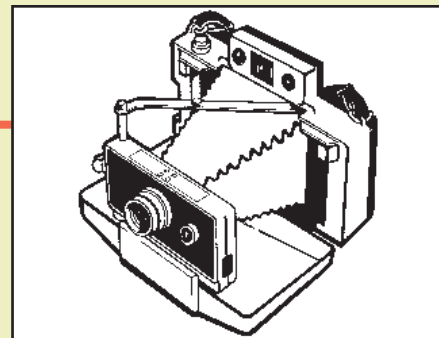
Flash Optional flashgun 268 (with blue shield). Uses M3 Clear Bulbs (now discontinued) and (1) AA 1.5v battery. Polaroid Customer Service has information about availability and alternative flash sources.

Description Folding pack camera. Folding split-image viewfinder. Metal housing with tripod socket. Three-element glass lens. Minimum focus range is 3.5 ft. Ideal for image or emulsion transfer, realtors and landscape artists.


**CLASSIC
CAMERAS**



Camera Model Model 102



Year Introduced 1964

Suggested List Price \$79.09

International Name NA

Film Type(s) Color ISO 80 (Type 108, 669), ISO 100 (Type 679, 689)
B&W ISO 3000 (Type 107, 667)
B&W ISO 80 (Type 665 Pos/Neg) ISO 100 (Type 664)

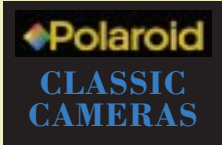
TRADE UP
Camera trade-in info.

Battery (1) 4.5v. Available through Polaroid Customer Service

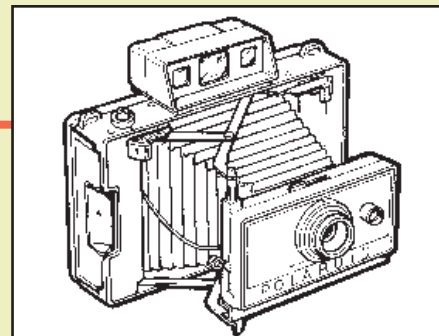
QUICK FIX
Camera repair info.

Flash Optional flashgun 268 (with blue shield). Uses M3 Clear Bulbs (now discontinued) and (1) AA 1.5v battery. Polaroid Customer Service has information about availability and alternative flash sources.

Description This is a “special markets” version of the Model 101. Folding pack camera. Folding split-image viewfinder. Film selector. Metal housing with tripod socket. Three-element glass lens. Minimum focus range is 3.5 ft. Ideal for image or emulsion transfer, realtors and landscape artists.



Camera Model Model 103



Year Introduced 1965

**Suggested
List Price** \$89.95

International Name NA

Film Type(s) Color ISO 80 (Type 108, 669), ISO 100 (Type 679, 689)
B&W ISO 3000 (Type 107, 667)
B&W ISO 80 (Type 665 Pos/Neg) ISO 100 (Type 664)

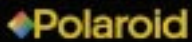
TRADE UP
Camera trade-in info.

Battery (1) 3v. Available through Polaroid Customer Service

QUICK FIX
Camera repair info.

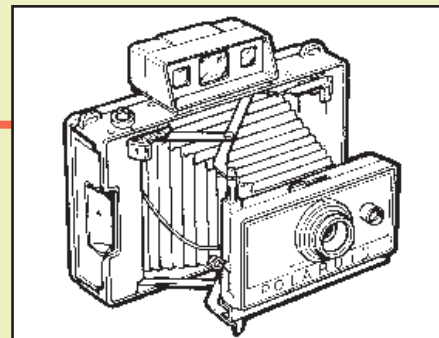
Flash Optional flashgun 268 (with blue shield). Uses M3 Clear Bulbs (now discontinued) and (1) AA 1.5v battery. Polaroid Customer Service has information about availability and alternative flash sources.

Description Folding pack camera. Folding split-image viewfinder. Plastic housing. No tripod socket. Two-element plastic lens. Minimum focus range is 3.5 ft. Ideal for image or emulsion transfer, realtors and landscape artists.


**CLASSIC
CAMERAS**



Camera Model Model 104



Year Introduced 1965

Suggested List Price \$59.95

International Name NA

Film Type(s) Color ISO 80 (Type 108, 669), ISO 100 (Type 679, 689)
B&W ISO 3000 (Type 107, 667)
B&W ISO 80 (Type 665 Pos/Neg) ISO 100 (Type 664)

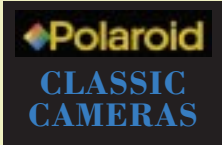
TRADE UP
Camera trade-in info.

Battery (1) 3v. Available through Polaroid Customer Service

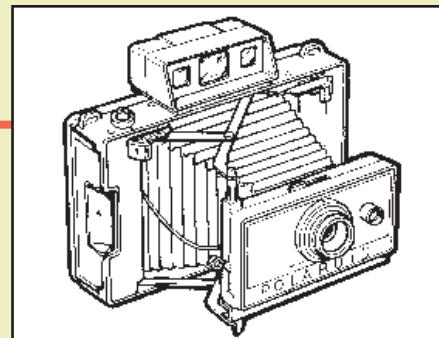
QUICK FIX
Camera repair info.

Flash Optional flashgun 268 (with blue shield). Uses M3 Clear Bulbs (now discontinued) and (1) AA 1.5v battery. Polaroid Customer Service has information about availability and alternative flash sources.

Description Folding pack camera. Viewfinder does not fold. Plastic housing. No tripod socket. Two-element plastic lens. Minimum focus range is 3.5 ft. Focusing requires use of the "image-sizer." User must estimate camera-to-subject distance. Can be used for image or emulsion transfer and realtors but not a first choice.



Camera Model Model 125



Year Introduced 1965

**Suggested
List Price** \$69.95

International Name NA

Film Type(s) Color ISO 80 (Type 108, 669), ISO 100 (Type 679, 689)
B&W ISO 3000 (Type 107, 667)
B&W ISO 80 (Type 665 Pos/Neg) ISO 100 (Type 664)

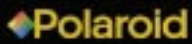
TRADE UP
Camera trade-in info.

Battery (1) 3v. Available through Polaroid Customer Service

QUICK FIX
Camera repair info.

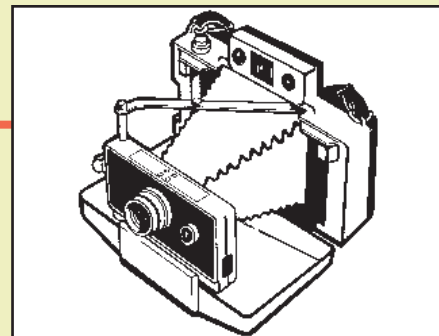
Flash Optional flashgun 268 (with blue shield). Uses M3 Clear Bulbs (now discontinued) and (1) AA 1.5v battery. Polaroid Customer Service has information about availability and alternative flash sources.

Description This is a “special markets” version of the Model 104. Folding pack camera. Viewfinder does not fold. Plastic housing. No tripod socket. Two-element plastic lens. Minimum focus range is 3.5 ft. Focusing requires using the “image-sizer” or estimating camera-to-subject distance. Can be used for image or emulsion transfer and realtors but not a first choice.


**CLASSIC
CAMERAS**



Camera Model Model 135



Year Introduced 1965

Suggested List Price \$89.95

International Name NA

Film Type(s) Color ISO 80 (Type 108, 669), ISO 100 (Type 679, 689)
B&W ISO 3000 (Type 107, 667)
B&W ISO 80 (Type 665 Pos/Neg) ISO 100 (Type 664)

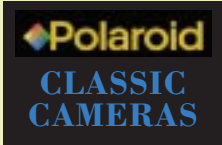
Battery (1) 3v. Available through Polaroid Customer Service

Flash Optional flashgun 268 (with blue shield). Uses M3 Clear Bulbs (now discontinued) and (1) AA 1.5v battery. Polaroid Customer Service has information about availability and alternative flash sources.

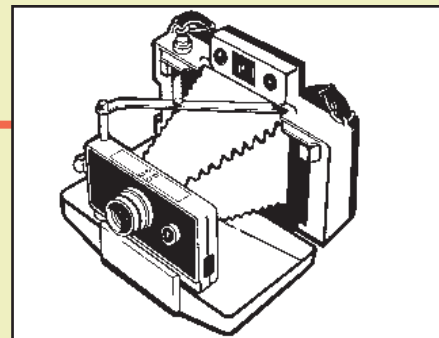
Description This is a “special markets” version of the Model 103. Folding pack camera. Folding split-image viewfinder. Plastic housing. No tripod socket. Two-element plastic lens. Minimum focus range is 3.5 ft. Ideal for image or emulsion transfer, realtors and landscape artists.

TRADE UP
Camera trade-in info.

QUICK FIX
Camera repair info.



Camera Model Model 180



Year Introduced 1965

**Suggested
List Price** \$189.95

International Name Model 190

Film Type(s) Color ISO 80 (Type 108, 669), ISO 100 (Type 679, 689)
B&W ISO 3000 (Type 107, 667)
B&W ISO 80 (Type 665 Pos/Neg) ISO 100 (Type 664)

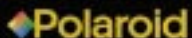
TRADE UP
Camera trade-in info.

Battery None

QUICK FIX
Camera repair info.

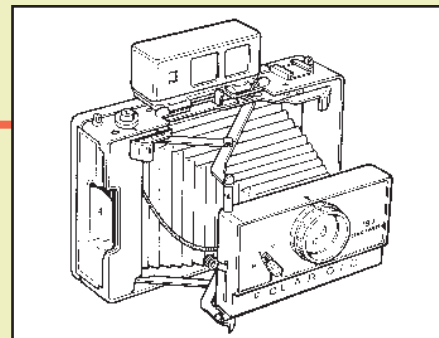
Flash PC connection. Accommodates an electronic flash. Optional flashgun 280 uses AG-1 bulbs.

Description Professional folding pack camera in demand. Manual controls. Four-element tomimon lens, F/4.5-F/90. Seiko shutter, speeds from 1 - 1/500 second. Zeiss-Ikon rangefinder. Self timer. 114mm lens. Filter size 45mm, screw-in. Used by professionals for proofing and by nightclub photographers.


**CLASSIC
CAMERAS**



Camera Model Model 195



Year Introduced 1974

**Suggested
List Price** \$199.95

International Name NA

Film Type(s) Color ISO 80 (Type 108, 669), ISO 100 (Type 679, 689)
B&W ISO 3000 (Type 107, 667)
B&W ISO 80 (Type 665 Pos/Neg) ISO 100 (Type 664)

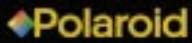
Battery None

Flash PC connection accommodates an electronic flash.

Description Professional folding pack camera in demand. Manual controls. Four-element tomimon lens. F 3.8 - F64. Shutter speeds from 1 - 1/500 second. Built-in mechanical timer. Filter ring size 49mm screw-in and 47mm friction, 47¹/₂ series 7. Used by professionals for proofing and by nightclub photographers.

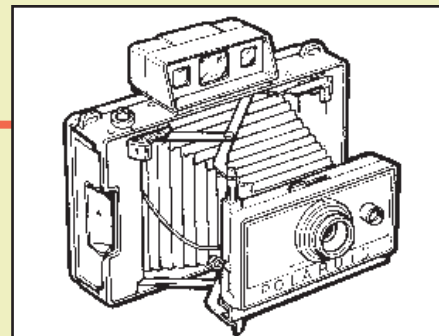
TRADE UP
Camera trade-in info.

QUICK FIX
Camera repair info.


**CLASSIC
CAMERAS**



Camera Model Model 210



Year Introduced 1967

Suggested List Price \$49.95

International Name NA

Film Type(s) Color ISO 80 (Type 108, 669), ISO 100 (Type 679, 689)
B&W ISO 3000 (Type 107, 667)
B&W ISO 80 (Type 665 Pos/Neg) ISO 100 (Type 664)

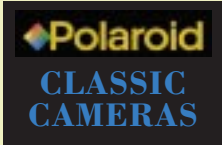
TRADE UP
Camera trade-in info.

Battery (1) 3v. Available through Polaroid Customer Service

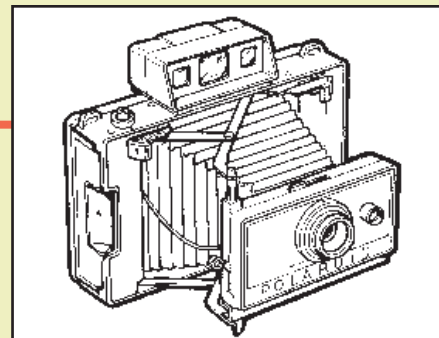
QUICK FIX
Camera repair info.

Flash Optional flashgun 268 (with blue shield). Uses M3 Clear Bulbs (now discontinued) and (1) AA 1.5v battery. Polaroid Customer Service has information about availability and alternative flash sources.

Description Same as Model 104. Folding pack camera. Viewfinder does not fold. Plastic housing. No tripod socket. Two-element plastic lens. Minimum focus range is 3.5 ft. To focus, operator must either use the “image-sizer” or estimate camera-to-subject distance. Can be used for image or emulsion transfer and realtors but not a first choice.



Camera Model Model 215



Year Introduced 1968

**Suggested
List Price** \$55.95

International Name NA

Film Type(s) Color ISO 80 (Type 108, 669), ISO 100 (Type 679, 689)
B&W ISO 3000 (Type 107, 667)
B&W ISO 80 (Type 665 Pos/Neg) ISO 100 (Type 664)

TRADE UP
Camera trade-in info.

Battery (1) 3v. Available through Polaroid Customer Service

QUICK FIX
Camera repair info.

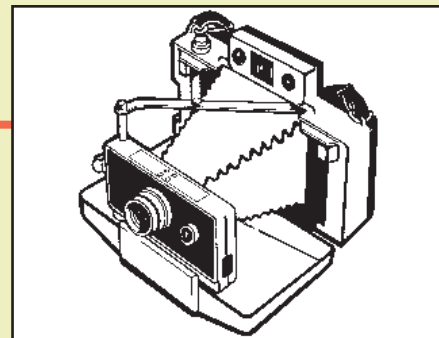
Flash Optional flashgun 268 (with blue shield). Uses M3 Clear Bulbs (now discontinued) and (1) AA 1.5v battery. Polaroid Customer Service has information about availability and alternative flash sources.

Description This is a “special markets” version of the Model 210. Folding pack camera. Viewfinder does not fold. Plastic housing. No tripod socket. Two-element plastic lens. Minimum focus range is 3.5 ft. To focus, operator must either use the “image-sizer” or estimate camera-to-subject distance. Can be used for image or emulsion transfer and realtors but not a first choice.


**CLASSIC
CAMERAS**



Camera Model Model 220



Year Introduced 1967

**Suggested
List Price** \$74.95

International Name NA

Film Type(s) Color ISO 80 (Type 108, 669), ISO 100 (Type 679, 689)
B&W ISO 3000 (Type 107, 667)
B&W ISO 80 (Type 665 Pos/Neg) ISO 100 (Type 664)

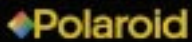
TRADE UP
Camera trade-in info.

Battery (1) 4.5v. Available through Polaroid Customer Service

QUICK FIX
Camera repair info.

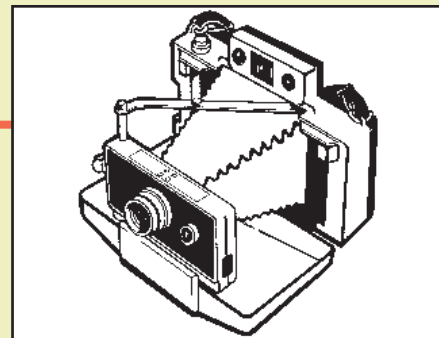
Flash Optional flashgun 268 (with blue shield). Uses M3 Clear Bulbs (now discontinued) and (1) AA 1.5v battery. Polaroid Customer Service has information about availability and alternative flash sources.

Description Folding pack camera. Non-folding split-image viewfinder. Lighting selector includes ability to take indoor B&W photos without a flash. Plastic housing has no tripod socket. Two-element plastic lens. Minimum focus range is 3.5 ft. Ideal for image or emulsion transfer, realtors and landscape artists.


**CLASSIC
CAMERAS**



Camera Model Model 225



Year Introduced 1968

**Suggested
List Price** \$84.95

International Name NA

Film Type(s) Color ISO 80 (Type 108, 669), ISO 100 (Type 679, 689)
B&W ISO 3000 (Type 107, 667)
B&W ISO 80 (Type 665 Pos/Neg) ISO 100 (Type 664)

TRADE UP
Camera trade-in info.

Battery (1) 4.5v. Available through Polaroid Customer Service

QUICK FIX
Camera repair info.

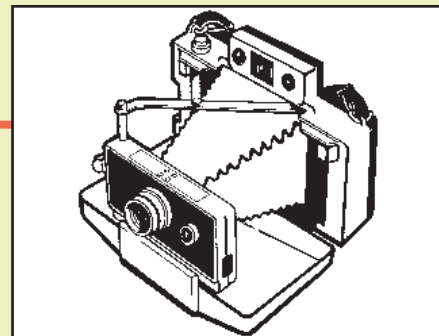
Flash Optional flashgun 268 (with blue shield). Uses M3 Clear Bulbs (now discontinued) and (1) AA 1.5v battery. Polaroid Customer Service has information about availability and alternative flash sources.

Description Folding pack camera. Non-folding split-image viewfinder. Lighting selector includes ability to take indoor B&W photos without a flash. Two-element plastic lens. Minimum focus range is 3.5 ft. Ideal for image or emulsion transfer, realtors and landscape artists.


**CLASSIC
CAMERAS**



Camera Model Model 230



Year Introduced 1967

Suggested List Price \$99.95

International Name NA

Film Type(s) Color ISO 80 (Type 108, 669), ISO 100 (Type 679, 689)
B&W ISO 3000 (Type 107, 667)
B&W ISO 80 (Type 665 Pos/Neg) ISO 100 (Type 664)

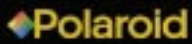
TRADE UP
Camera trade-in info.

Battery (1) 4.5v. Available through Polaroid Customer Service

QUICK FIX
Camera repair info.

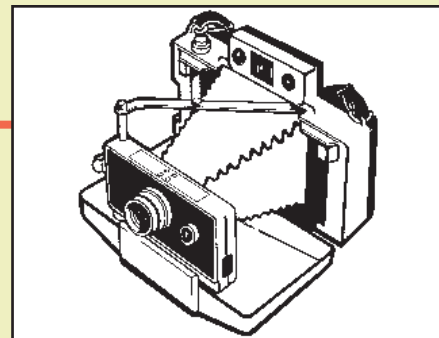
Flash Optional flashgun 268 (with blue shield). Uses M3 Clear Bulbs (now discontinued) and (1) AA 1.5v battery. Polaroid Customer Service has information about availability and alternative flash sources.

Description Folding pack camera. Folding split-image viewfinder. Lighting selector includes ability to take indoor B&W photos without a flash. Plastic housing has no tripod socket. Three-element glass lens. Minimum focus range is 3.5 ft. Ideal for image or emulsion transfer, realtors and landscape artists.


**CLASSIC
CAMERAS**



Camera Model Model 240



Year Introduced 1967

**Suggested
List Price** \$129.95

International Name NA

Film Type(s) Color ISO 80 (Type 108, 669), ISO 100 (Type 679, 689)
B&W ISO 3000 (Type 107, 667)
B&W ISO 80 (Type 665 Pos/Neg) ISO 100 (Type 664)


TRADE UP
Camera trade-in info.

Battery (1) 4.5v. Available through Polaroid Customer Service

QUICK FIX
Camera repair info.

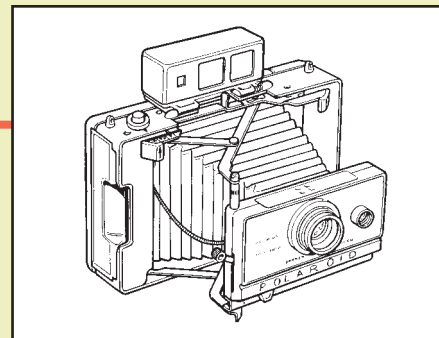
Flash Optional flashgun 268 (with blue shield). Uses M3 Clear Bulbs (now discontinued) and (1) AA 1.5v battery. Polaroid Customer Service has information about availability and alternative flash sources.

Description This is the same camera as the Model 100. Folding pack camera. Folding split-image viewfinder. Lighting selections include ability to take indoor B&W photos without a flash. Metal housing with tripod socket. Three-element glass lens. Ideal for image or emulsion transfer, realtors and landscape artists.


**CLASSIC
CAMERAS**



Camera Model Model 250



Year Introduced 1967

**Suggested
List Price** \$159.95

International Name NA

Film Type(s) Color ISO 80 (Type 108, 669), ISO 100 (Type 679, 689)
B&W ISO 3000 (Type 107, 667)
B&W ISO 80 (Type 665 Pos/Neg) ISO 100 (Type 664)

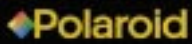
TRADE UP
Camera trade-in info.

Battery (1) 4.5v. Available through Polaroid Customer Service

QUICK FIX
Camera repair info.

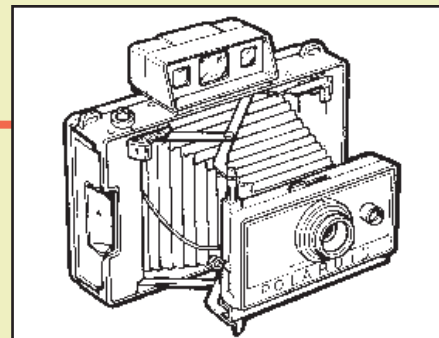
Flash Optional flashgun 268 (with blue shield). Uses M3 Clear Bulbs (now discontinued) and (1) AA 1.5v battery. Polaroid Customer Service has information about availability and alternative flash sources.

Description Folding pack camera. Zeiss Ikon single window viewfinder. Lighting selections include ability to take indoor B&W photos without a flash. Metal housing with tripod socket. Three-element glass lens. Ideal for image or emulsion transfer, realtors and landscape artists.


**CLASSIC
CAMERAS**



Camera Model Model 315



Year Introduced 1969

**Suggested
List Price** \$55.95

International Name NA

Film Type(s) Color ISO 80 (Type 108, 669), ISO 100 (Type 679, 689)
B&W ISO 3000 (Type 107, 667)
B&W ISO 80 (Type 665 Pos/Neg) ISO 100 (Type 664)

TRADE UP
Camera trade-in info.

Battery (1) 3v. Available through Polaroid Customer Service

QUICK FIX
Camera repair info.

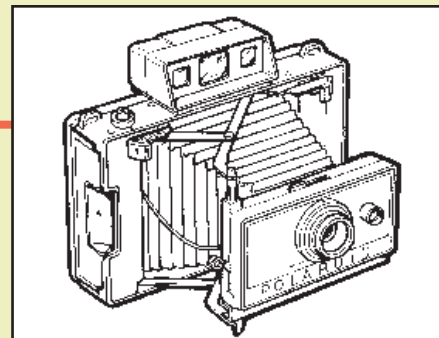
Flash Optional flashgun 268 (with blue shield). Uses M3 Clear Bulbs (now discontinued) and (1) AA 1.5v battery. Polaroid Customer Service has information about availability and alternative flash sources.

Description This is a “special markets” version of the Model 104. Folding pack camera. Viewfinder does not fold. Plastic housing. No tripod socket. Two-element plastic lens. Minimum focus range is 3.5 ft. To focus, operator must either use the “image-sizer” or estimate camera-to-subject distance. Can be used for image or emulsion transfer and realtors but not a first choice.


**CLASSIC
CAMERAS**



Camera Model Model 320



Year Introduced 1969

**Suggested
List Price** \$59.95

International Name NA

Film Type(s) Color ISO 80 (Type 108, 669), ISO 100 (Type 679, 689)
B&W ISO 3000 (Type 107, 667)
B&W ISO 80 (Type 665 Pos/Neg) ISO 100 (Type 664)

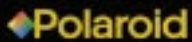
TRADE UP
Camera trade-in info.

Battery (1) 3v. Available through Polaroid Customer Service

QUICK FIX
Camera repair info.

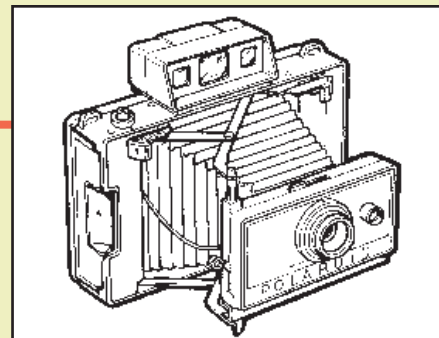
Flash Optional flashgun 268 (with blue shield). Uses M3 Clear Bulbs (now discontinued) and (1) AA 1.5v battery. Polaroid Customer Service has information about availability and alternative flash sources.

Description Folding pack camera. Folding split-image viewfinder. Plastic housing. No tripod socket. Two-element plastic lens. Minimum focus range is 3.5 ft. Ideal for image or emulsion transfer, realtors and landscape artists.


**CLASSIC
CAMERAS**



Camera Model Model 330



Year Introduced 1969

**Suggested
List Price** \$79.95

International Name NA

Film Type(s) Color ISO 80 (Type 108, 669), ISO 100 (Type 679, 689)
B&W ISO 3000 (Type 107, 667)
B&W ISO 80 (Type 665 Pos/Neg) ISO 100 (Type 664)

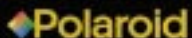
TRADE UP
Camera trade-in info.

Battery (1) 3v. Available through Polaroid Customer Service

QUICK FIX
Camera repair info.

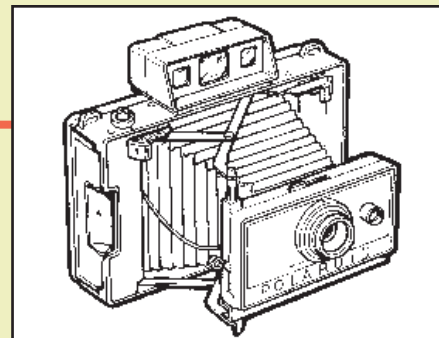
Flash Optional flashgun 268 (with blue shield). Uses M3 Clear Bulbs (now discontinued) and (1) AA 1.5v battery. Polaroid Customer Service has information about availability and alternative flash sources.

Description Folding pack camera. Built-in timer. Folding split-image viewfinder. Plastic housing has no tripod socket. Three-element glass lens. Minimum focus range is 3.5 ft. Ideal for image or emulsion transfer, realtors and landscape artists.


**CLASSIC
CAMERAS**



Camera Model Model 335



Year Introduced 1969

**Suggested
List Price** \$89.95

International Name NA

Film Type(s) Color ISO 80 (Type 108, 669), ISO 100 (Type 679, 689)
B&W ISO 3000 (Type 107, 667)
B&W ISO 80 (Type 665 Pos/Neg) ISO 100 (Type 664)

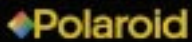
TRADE UP
Camera trade-in info.

Battery (2) 3v. Available through Polaroid Customer Service

QUICK FIX
Camera repair info.

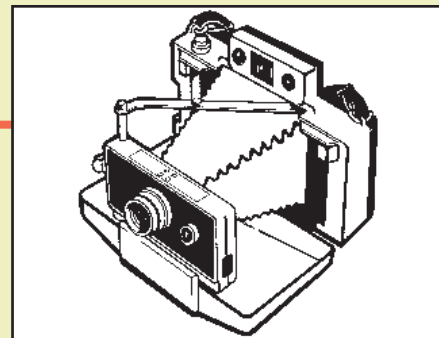
Flash Optional flashgun 268 (with blue shield). Uses M3 Clear Bulbs (now discontinued) and (1) AA 1.5v battery. Polaroid Customer Service has information about availability and alternative flash sources.

Description Folding pack camera. Built-in electronic timer. Non-folding split-image viewfinder. Plastic housing has no tripod socket. Three-element glass lens. Minimum focus range is 3.5 ft. Ideal for image or emulsion transfer, realtors and landscape artists.


**CLASSIC
CAMERAS**



Camera Model Model 340



Year Introduced 1969

**Suggested
List Price** \$99.95

International Name Model 355

Film Type(s) Color ISO 80 (Type 108, 669), ISO 100 (Type 679, 689)
B&W ISO 3000 (Type 107, 667)
B&W ISO 80 (Type 665 Pos/Neg) ISO 100 (Type 664)

TRADE UP
Camera trade-in info.

Battery (1) 4.5v. Available through Polaroid Customer Service

QUICK FIX
Camera repair info.

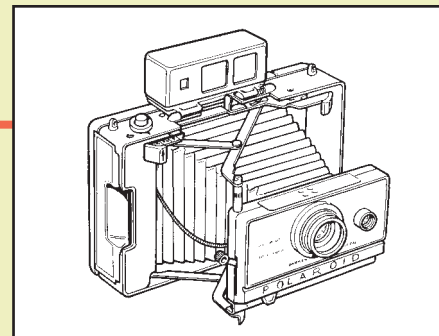
Flash Optional flashgun 268 (with blue shield). Uses M3 Clear Bulbs (now discontinued) and (1) AA 1.5v battery. Polaroid Customer Service has information about availability and alternative flash sources.

Description Folding pack camera. Manual built-in timer. Folding split-image viewfinder. Lighting selections include ability to take indoor B&W photos without a flash. Plastic housing, no tripod socket. Three-element glass lens. Ideal for image or emulsion transfer, realtors and landscape artists.


**CLASSIC
CAMERAS**



Camera Model Model 350



Year Introduced 1969

**Suggested
List Price** \$149.95

International Name NA

Film Type(s) Color ISO 80 (Type 108, 669), ISO 100 (Type 679, 689)
B&W ISO 3000 (Type 107, 667)
B&W ISO 80 (Type 665 Pos/Neg) ISO 100 (Type 664)

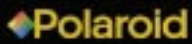
TRADE UP
Camera trade-in info.

Battery (2) 3v. Available through Polaroid Customer Service

QUICK FIX
Camera repair info.

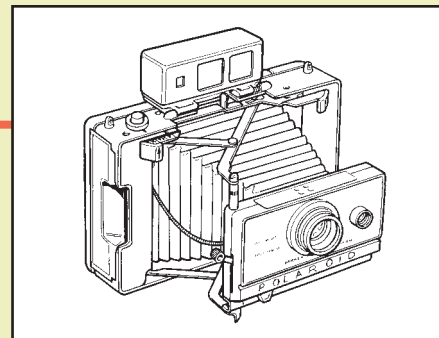
Flash Optional flashgun 268 (with blue shield). Uses M3 Clear Bulbs (now discontinued) and (1) AA 1.5v battery. Polaroid Customer Service has information about availability and alternative flash sources.

Description Folding pack camera. Built-in electronic timer. Zeiss Ikon single window viewfinder. Lighting selections include ability to take indoor B&W photos without a flash. Metal housing with tripod socket. Three-element glass lens. Ideal for image or emulsion transfer, realtors and landscape artists.


**CLASSIC
CAMERAS**



Camera Model Model 360



Year Introduced 1969

Suggested List Price \$199.95

International Name NA

Film Type(s) Color ISO 80 (Type 108, 669), ISO 100 (Type 679, 689)
B&W ISO 3000 (Type 107, 667)
B&W ISO 80 (Type 665 Pos/Neg) ISO 100 (Type 664)

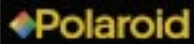
Battery (2) 3v. Available through Polaroid Customer Service

Flash Special flash, no longer available, has its own charger.

Description Folding pack camera. Built-in electronic timer. Zeiss Ikon single window viewfinder. Lighting selections include ability to take indoor B&W photos without a flash. Metal housing with tripod socket. Three-element glass lens. Ideal for image or emulsion transfer, realtors and landscape artists. The batteries are located in the panel to the right of the lens. Open by inserting a pen in the hole to lift off the panel cover.

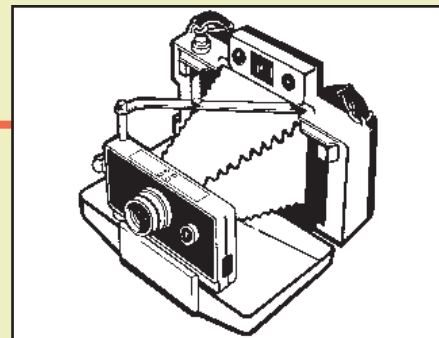
TRADE UP
Camera trade-in info.

QUICK FIX
Camera repair info.


CLASSIC
CAMERAS



Camera Model Model 420



Year Introduced 1971

**Suggested
List Price** \$59.95

International Name NA

Film Type(s) Color ISO 80 (Type 108, 669), ISO 100 (Type 679, 689)
B&W ISO 3000 (Type 107, 667)
B&W ISO 80 (Type 665 Pos/Neg) ISO 100 (Type 664)

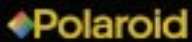
TRADE UP
Camera trade-in info.

Battery (1) 3v. Available through Polaroid Customer Service

QUICK FIX
Camera repair info.

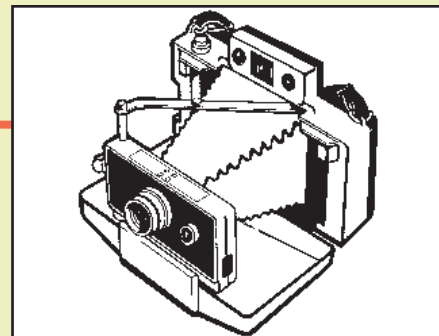
Flash Optional flashgun 490. Uses (2) AAA 1.5v batteries and Hi-Power cube, now discontinued. Polaroid Customer Service has information about availability and alternative flash sources.

Description Folding pack camera. Non-folding split-image viewfinder. Plastic housing has no tripod socket. Two-element plastic lens. Minimum focus range is 3.5 ft. Ideal for image or emulsion transfer, realtors and landscape artists.


**CLASSIC
CAMERAS**



Camera Model Model 430



Year Introduced 1971

**Suggested
List Price** \$79.95

International Name NA

Film Type(s) Color ISO 80 (Type 108, 669), ISO 100 (Type 679, 689)
B&W ISO 3000 (Type 107, 667)
B&W ISO 80 (Type 665 Pos/Neg) ISO 100 (Type 664)

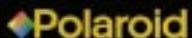
TRADE UP
Camera trade-in info.

Battery (1) 3v. Available through Polaroid Customer Service

QUICK FIX
Camera repair info.

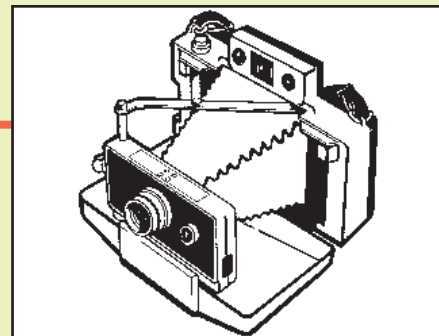
Flash Optional flashgun 490. Uses (2) AAA 1.5v batteries and Hi-Power cube, now discontinued. Polaroid Customer Service has information about availability and alternative flash sources.

Description Folding pack camera. Manual built-in timer. Non-folding split-image viewfinder. Plastic housing has no tripod socket. Three-element glass lens. Minimum focus range is 3.5 ft. Ideal for image or emulsion transfer, realtors and landscape artists.


**CLASSIC
CAMERAS**



Camera Model Model 440



Year Introduced 1971

**Suggested
List Price** \$99.95

International Name Model 455

Film Type(s) Color ISO 80 (Type 108, 669), ISO 100 (Type 679, 689)
B&W ISO 3000 (Type 107, 667)
B&W ISO 80 (Type 665 Pos/Neg) ISO 100 (Type 664)


TRADE UP
Camera trade-in info.

Battery (1) 3v. Available through Polaroid Customer Service

QUICK FIX
Camera repair info.

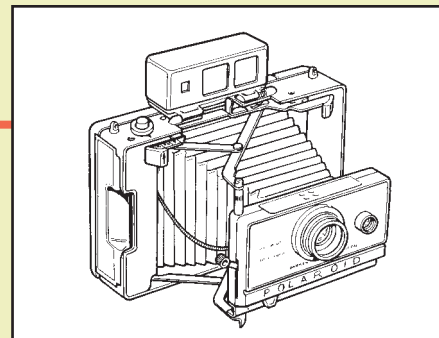
Flash Optional flashgun 490. Uses (2) AAA 1.5v batteries and Hi-Power cube, now discontinued. Polaroid Customer Service has information about availability and alternative flash sources.

Description Folding pack camera. Electronic built-in timer. Folding split-image viewfinder. Lighting selector includes ability to take indoor B&W photos without a flash. Plastic housing has no tripod socket. Three-element glass lens. Minimum focus range is 3 ft. Ideal for image or emulsion transfer, realtors and landscape artists.


CLASSIC
CAMERAS



Camera Model Model 450



Year Introduced 1971

**Suggested
List Price** \$164.95

International Name NA

Film Type(s) Color ISO 80 (Type 108, 669), ISO 100 (Type 679, 689)
B&W ISO 3000 (Type 107, 667)
B&W ISO 80 (Type 665 Pos/Neg) ISO 100 (Type 664)

Battery (2) 3v. Available through Polaroid Customer Service

Flash Optional flashgun 490. Uses (2) AAA 1.5v batteries and Hi-Power cube, now discontinued. Polaroid Customer Service has information about availability and alternative flash sources.

Description Folding pack camera. Electronic built-in timer. Zeiss Ikon single window viewfinder. Lighting selector includes ability to take indoor B&W photos without a flash. Metal housing has tripod socket. Three-element glass lens. Minimum focus range is 3.5 ft. Ideal for image or emulsion transfer, realtors and landscape artists.

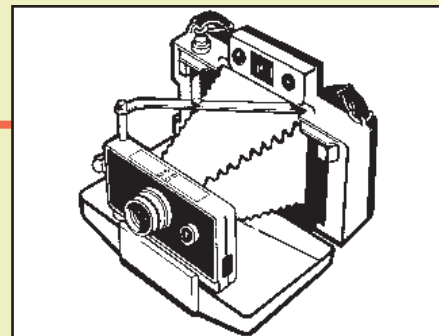
TRADE UP
Camera trade-in info.

QUICK FIX
Camera repair info.


**CLASSIC
CAMERAS**



Camera Model Model M80



Year Introduced 1970

**Suggested
List Price** \$??

International Name NA

Film Type(s) Color ISO 80 (Type 108, 669), ISO 100 (Type 679, 689)
B&W ISO 3000 (Type 107, 667)
B&W ISO 80 (Type 665 Pos/Neg) ISO 100 (Type 664)

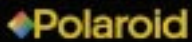
TRADE UP
Camera trade-in info.

Battery (1) 4.5v. Available through Polaroid Customer Service

QUICK FIX
Camera repair info.

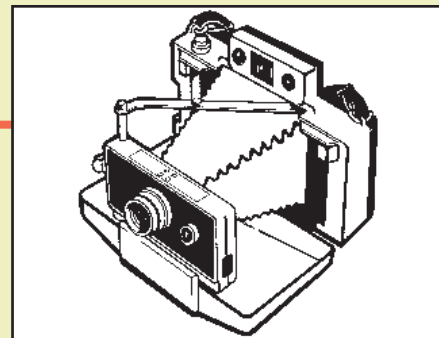
Flash Optional flashgun 268 (with blue shield). Uses M3 Clear Bulbs (now discontinued) and (1) AA 1.5v battery. Polaroid Customer Service has information about availability and alternative flash sources.

Description Folding pack camera. Electronic built-in timer. Folding split-image viewfinder. Film selector. Three-element glass lens. Minimum focus range is 3.5 ft.


**CLASSIC
CAMERAS**



Camera Model Model M60



Year Introduced 1970

**Suggested
List Price** \$164.95

International Name NA

Film Type(s) Color ISO 80 (Type 108, 669), ISO 100 (Type 679, 689)
B&W ISO 3000 (Type 107, 667)
B&W ISO 80 (Type 665 Pos/Neg) ISO 100 (Type 664)


TRADE UP
Camera trade-in info.

Battery (1) 4.5v. Available through Polaroid Customer Service

QUICK FIX
Camera repair info.

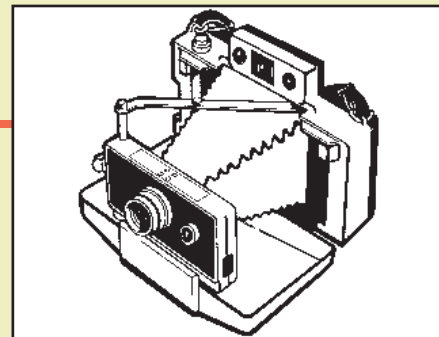
Flash Optional flashgun 268 (with blue shield). Uses M3 Clear Bulbs (now discontinued) and (1) AA 1.5v battery. Polaroid Customer Service has information about availability and alternative flash sources.

Description Folding pack camera. Viewfinder does not fold. Plastic housing. No tripod socket. Two-element plastic lens. Minimum focus range is 3.5 ft. Focusing requires using the "image-sizer" or estimating camera-to-subject distance. Can be used for image or emulsion transfer and realtors but not a first choice.


**CLASSIC
CAMERAS**



Camera Model Model CD90



Year Introduced 1971

Suggested List Price \$92.95

International Name NA

Film Type(s) Color ISO 80 (Type 108, 669), ISO 100 (Type 679, 689)
B&W ISO 3000 (Type 107, 667)
B&W ISO 80 (Type 665 Pos/Neg) ISO 100 (Type 664)


Battery (2) 3v. Available through Polaroid Customer Service

Flash Optional flashgun 490. Uses (2) AAA 1.5v batteries and Hi-Power cube, now discontinued. Polaroid Customer Service has information about availability and alternative flash sources.

Description Folding pack camera. Manual built-in timer. Non-folding split-image viewfinder. Plastic housing has no tripod socket. Three-element glass lens. Minimum focus range is 3.5 ft. Ideal for image or emulsion transfer, realtors and landscape artists.

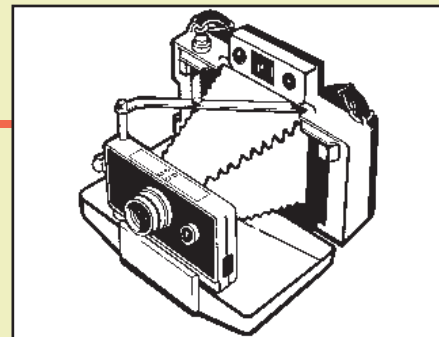
TRADE UP
Camera trade-in info.

QUICK FIX
Camera repair info.


**CLASSIC
CAMERAS**



Camera Model Model CD70



Year Introduced 1971

**Suggested
List Price** \$71.00

International Name NA

Film Type(s) Color ISO 80 (Type 108, 669), ISO 100 (Type 679, 689)
B&W ISO 3000 (Type 107, 667)
B&W ISO 80 (Type 665 Pos/Neg) ISO 100 (Type 664)


TRADE UP
Camera trade-in info.

Battery (1) 3v. Available through Polaroid Customer Service

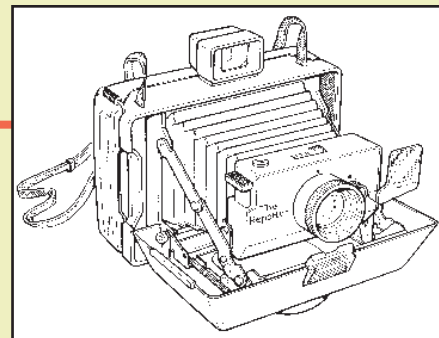
QUICK FIX
Camera repair info.

Flash Optional flashgun 490. Uses (2) AAA 1.5v batteries and Hi-Power cube, now discontinued. Polaroid Customer Service has information about availability and alternative flash sources.

Description Folding pack camera. Non-folding split-image viewfinder. Plastic housing has no tripod socket. Two-element plastic lens. Minimum focus range is 3.5 ft. Ideal for image or emulsion transfer, realtors and landscape artists.


**CLASSIC
CAMERAS**



Camera Model**Reporter****Year Introduced**

1977

**Suggested
List Price**

\$57.00

International Name

EE 100, EE 100 Special

Film Type(s)

Color ISO 80 (Type 88, 108, 669), ISO 100 (Type 679, 689)
B&W ISO 3000 (Type 87, 107, 667)
B&W ISO 80 (Type 665 Pos/Neg) ISO 100 (Type 664)

TRADE UP
Camera trade-in info.

Battery

(2)AA 1.5v

QUICK FIX
Camera repair info.

Flash

Standard cube and Hi-Power cubes., both now discontinued.

Description

Folding pack camera. Can be used for emulsion transfer with 669 film.


**CLASSIC
CAMERAS**



Camera Model EE100

Year Introduced 1977

**Suggested
List Price** \$57.95

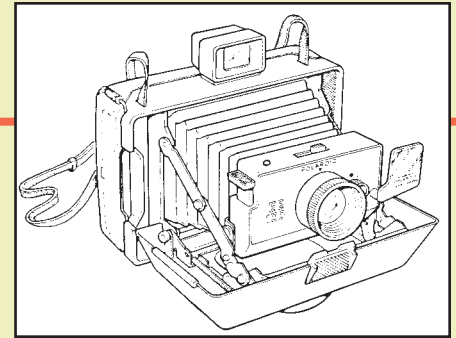
International Name NA

Film Type(s) Color ISO 80 (Type 88, 108, 669), ISO 100 (Type 679, 689)
B&W ISO 3000 (Type 87, 107, 667)
B&W ISO 80 (Type 665 Pos/Neg) ISO 100 (Type 664)

Battery (2)AA 1.5v

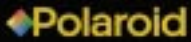
Flash Standard cube and Hi-Power cubes., both now discontinued.

Description Folding pack camera. Can be used for image or emulsion transfer.



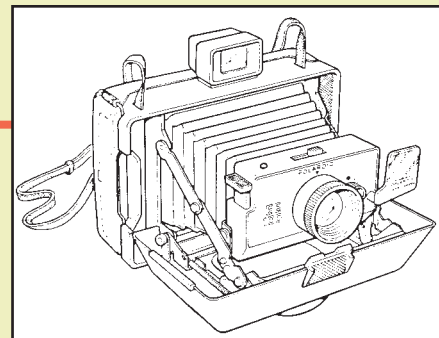
TRADE UP
Camera trade-in info.

QUICK FIX
Camera repair info.


**CLASSIC
CAMERAS**



Camera Model EE100 Special



Year Introduced 1977

**Suggested
List Price** \$57.95

International Name NA

Film Type(s) Color ISO 80 (Type 88, 108, 669), ISO 100 (Type 679, 689)
B&W ISO 3000 (Type 87, 107, 667)
B&W ISO 80 (Type 665 Pos/Neg) ISO 100 (Type 664)

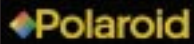
Battery (2)AA 1.5v

Flash Standard cube and Hi-Power cubes., both now discontinued.

Description Folding pack camera. Can take indoor B&W photos with no flash. Can be used for image or emulsion transfer.

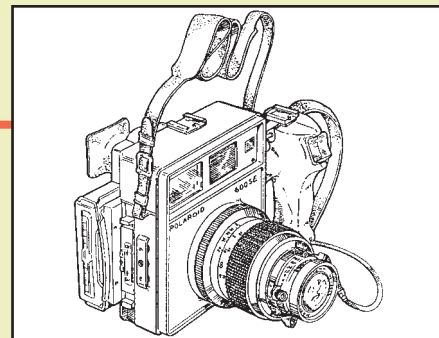
TRADE UP
Camera trade-in info.

QUICK FIX
Camera repair info.


**CLASSIC
CAMERAS**



Camera Model 600 SE



Year Introduced 1978

Suggested List Price \$525.00 (for the body)

International Name 600 Professional, 600 SE Professional

Film Type(s) Color ISO 80 (Type 88, 108, 669), ISO 100 (Type 679, 689)
B&W ISO 3000 (Type 87, 107, 667)
B&W ISO 80 (Type 665 Pos/Neg) ISO 100 (Type 664)

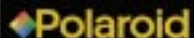
TRADE UP
Camera trade-in info.

Battery None

QUICK FIX
Camera repair info.

Flash PC connections accommodates electronic flash

Description Non-folding. Professional camera. Lenses offered included normal 127mm, wide-angle 75mm and telephoto 150mm. Manual aperture and shutter speed.


CLASSIC
CAMERAS



Camera Model Big Shot

Year Introduced 1971

**Suggested
List Price** \$19.95

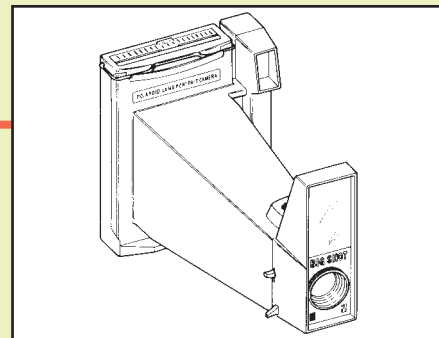
International Name NA

Film Type(s) Color ISO 80 (Type 108, 669), ISO 100 (Type 679, 689)
B&W ISO 80 (Type 665 Pos/Neg) ISO 100 (Type 664)

Battery None

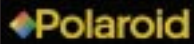
Flash Magic Cube Flash required for ALL indoor and outdoor photos.

Description Non-folding. Takes exceptional portrait photos. Has a long lens fixed at 39 inches. Developer spreaders should be replaced with rollers. Andy Warhol popularized this camera.



TRADE UP
Camera trade-in info.

QUICK FIX
Camera repair info.


**CLASSIC
CAMERAS**



Camera Model Super Shooter

Year Introduced 1975

**Suggested
List Price** \$25.00

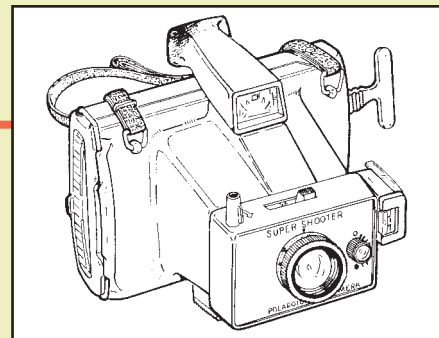
International Name EE60, Super Color Swinger III

Film Type(s) Color ISO 80 (Type 88, 108, 669), ISO 100 (Type 679, 689)
B&W ISO 3000 (Type 87, 107, 667)
B&W ISO 80 (Type 665 Pos/Neg) ISO 100 (Type 664)

Battery (2)AA 1.5v

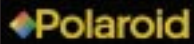
Flash Standard cube and Hi-Power cubes., both now discontinued.

Description Non-folding pack camera. Can be used for image or emulsion transfer.



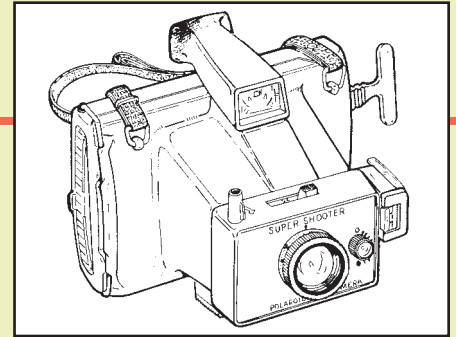
TRADE UP
Camera trade-in info.

QUICK FIX
Camera repair info.


**CLASSIC
CAMERAS**



Camera Model Super Shooter Plus



Year Introduced 1975

Suggested List Price \$34.95

International Name EE 66

Film Type(s) Color ISO 80 (Type 88, 108, 669), ISO 100 (Type 679, 689)
B&W ISO 3000 (Type 87, 107, 667)
B&W ISO 80 (Type 665 Pos/Neg) ISO 100 (Type 664)

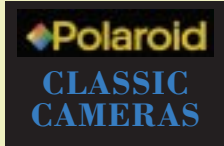
Battery (2)AA 1.5v

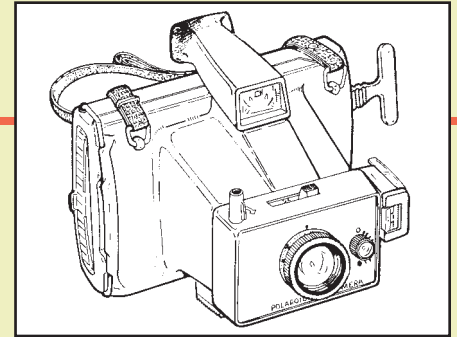
Flash Standard cube and Hi-Power cubes., both now discontinued.

Description Non-folding pack camera. Development timer. Can be used for image or emulsion transfer.

TRADE UP
Camera trade-in info.

QUICK FIX
Camera repair info.



Camera Model**Minute Maker****Year Introduced**

1977

**Suggested
List Price**

\$24.95

International Name

EE 55, EE 58

Film Type(s)Color ISO 80 (Type 88, 108, 669), ISO 100 (Type 679, 689)
B&W ISO 80 (Type 665 Pos/Neg) ISO 100 (Type 664)**TRADE UP**
Camera trade-in info.**Battery**

(2)AA 1.5v

QUICK FIX
Camera repair info.**Flash**

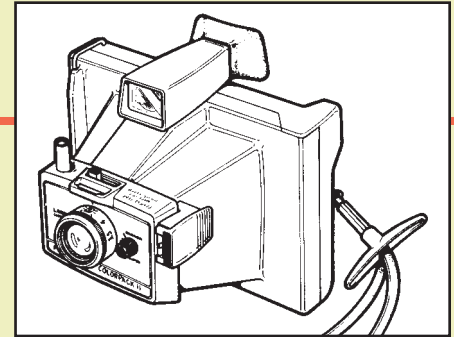
Standard cube and Hi-Power cubes., both now discontinued.

Description

Non-folding pack camera. Can be used for image or emulsion transfer.



Camera Model Minute Maker Plus



Year Introduced 1977

**Suggested
List Price** \$31.95

International Name Instant 30, Colorpack 200

Film Type(s) Color ISO 80 (Type 88, 108, 669), ISO 100 (Type 679, 689)
B&W ISO 3000 (Type 87, 107, 667)
B&W ISO 80 (Type 665 Pos/Neg) ISO 100 (Type 664)

TRADE UP
Camera trade-in info.

Battery (2)AA 1.5v

QUICK FIX
Camera repair info.

Flash Standard cube and Hi-Power cubes., both now discontinued.

Description Non-folding pack camera. Can be used for image and emulsion transfer.



Camera Model Clincher

Year Introduced 1975

**Suggested
List Price** \$25

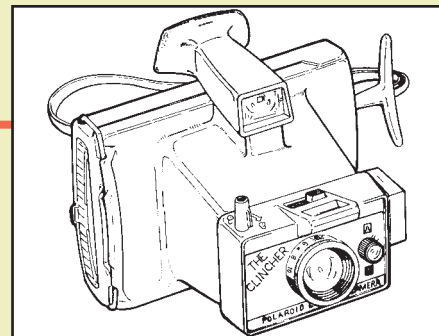
International Name NA

Film Type(s) 31¹/₄ X 33¹/₈ pack film
Color ISO 80 (Type 88)
B&W ISO 3000 (Type 87)

Battery (2)AA 1.5v

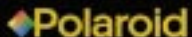
Flash Standard cube and Hi-Power cubes., both now discontinued.

Description Non-folding pack camera. Developer spreader should be replaced with rollers.
Can only uses square-format film which is available in limited distribution.

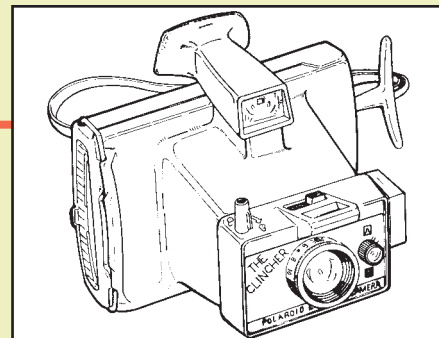


TRADE UP
Camera trade-in info.

QUICK FIX
Camera repair info.


**CLASSIC
CAMERAS**

Camera Model Clincher 2



Year Introduced 1976

**Suggested
List Price** \$34.95

International Name NA

Film Type(s) Color ISO 80 (Type 108, 669), ISO 100 (Type 679, 689)
B&W ISO 3000 (Type 107, 667)
B&W ISO 80 (Type 665 Pos/Neg) ISO 100 (Type 664)

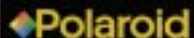
Battery (2)AA 1.5v

Flash Standard cube and Hi-Power cubes., both now discontinued.

Description Non-folding pack camera. Lighting selector includes ability to take indoor B&W photos without a flash. Can be used for image or emulsion transfer.

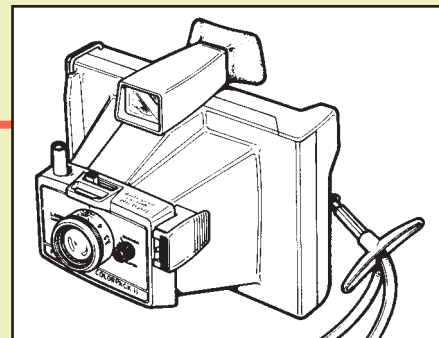
TRADE UP
Camera trade-in info.

QUICK FIX
Camera repair info.


**CLASSIC
CAMERAS**



Camera Model **The Colorpack**



Year Introduced 1973

**Suggested
List Price** \$39.95

International Name Colorpack 100

Film Type(s) Color ISO 80 (Type 108, 669), ISO 100 (Type 679, 689)
B&W ISO 3000 (Type 107, 667)
B&W ISO 80 (Type 665 Pos/Neg) ISO 100 (Type 664)

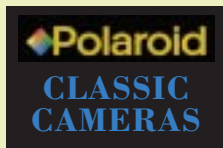
Battery (2)AA 1.5v

Flash Standard cube and Hi-Power cubes., both now discontinued.

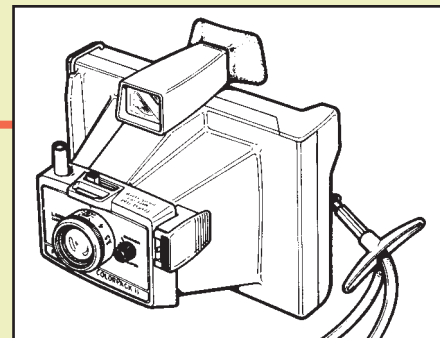
Description Non-folding pack camera. Can be used for image or emulsion transfer.

TRADE UP
Camera trade-in info.

QUICK FIX
Camera repair info.



Camera Model **Colorpack II**



Year Introduced 1969

**Suggested
List Price** \$29.95

International Name NA

Film Type(s) Color ISO 80 (Type 108, 669), ISO 100 (Type 679, 689)
B&W ISO 3000 (Type 107, 667)
B&W ISO 80 (Type 665 Pos/Neg) ISO 100 (Type 664)

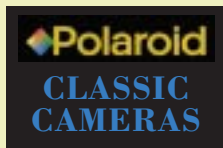
Battery (2)AA 1.5v

Flash Standard cube, now discontinued.

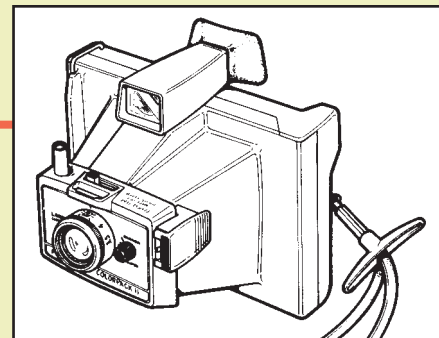
Description Non-folding pack camera. Developer spreaders should be replaced with rollers.
Can be used for image or emulsion transfer.

TRADE UP
Camera trade-in info.

QUICK FIX
Camera repair info.



Camera Model **Colorpack III**



Year Introduced 1970

**Suggested
List Price** \$39.95

International Name NA

Film Type(s) Color ISO 80 (Type 108, 669), ISO 100 (Type 679, 689)
B&W ISO 3000 (Type 107, 667)
B&W ISO 80 (Type 665 Pos/Neg) ISO 100 (Type 664)

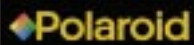
Battery (2)AA 1.5v

Flash Standard cube, now discontinued.

Description Non-folding pack camera. Development timer. Viewfinder has distance finder.
Developer spreaders should be replaced with rollers. Can be used for image or
emulsion transfer.

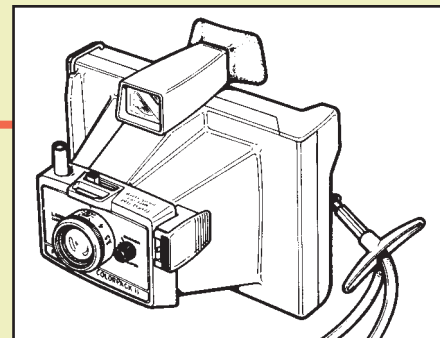
TRADE UP
Camera trade-in info.

QUICK FIX
Camera repair info.


**CLASSIC
CAMERAS**



Camera Model **Colorpack IV**



Year Introduced 1969

**Suggested
List Price** \$39.95

International Name NA

Film Type(s) Color ISO 80 (Type 108, 669), ISO 100 (Type 679, 689)
B&W ISO 3000 (Type 107, 667)
B&W ISO 80 (Type 665 Pos/Neg) ISO 100 (Type 664)

Battery (2)AA 1.5v

Flash Standard cube, now discontinued.

Description Non-folding pack camera. Development timer. Developer spreaders should be replaced with rollers. Can be used for image or emulsion transfer.

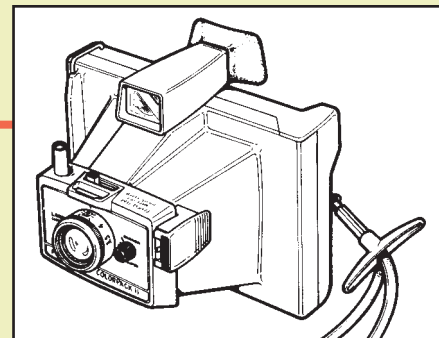
TRADE UP
Camera trade-in info.

QUICK FIX
Camera repair info.


**CLASSIC
CAMERAS**



Camera Model **Colorpack V**



Year Introduced 1973

**Suggested
List Price** \$39.95

International Name NA

Film Type(s) Color ISO 80 (Type 108, 669), ISO 100 (Type 679, 689)
B&W ISO 3000 (Type 107, 667)
B&W ISO 80 (Type 665 Pos/Neg) ISO 100 (Type 664)

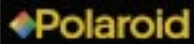
Battery (2)AA 1.5v

Flash Hi Power cube, now discontinued.

Description Non-folding pack camera. Developer spreaders should be replaced with rollers.
Can be used for image or emulsion transfer.

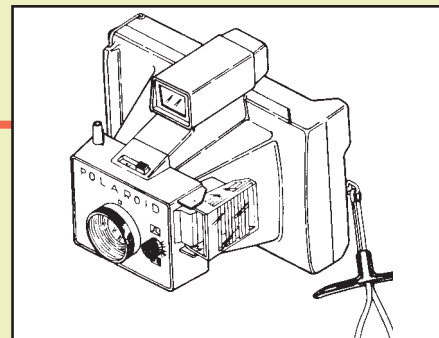
TRADE UP
Camera trade-in info.

QUICK FIX
Camera repair info.


**CLASSIC
CAMERAS**



Camera Model Super Colorpack



Year Introduced 1971

Suggested List Price \$44.95

International Name NA

Film Type(s) Color ISO 80 (Type 108, 669), ISO 100 (Type 679, 689)
B&W ISO 3000 (Type 107, 667)
B&W ISO 80 (Type 665 Pos/Neg) ISO 100 (Type 664)

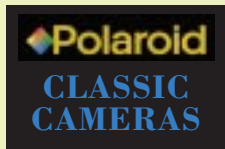
Battery (2)AA 1.5v

Flash Hi Power cube, now discontinued.

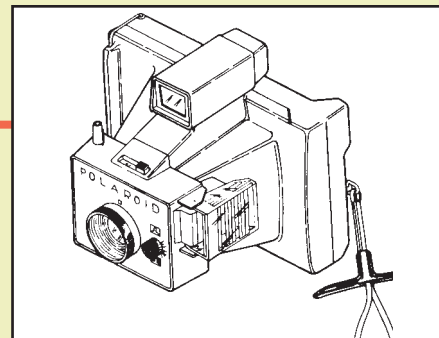
Description Non-folding pack camera. Developer spreaders should be replaced with rollers. Can be used for image or emulsion transfer.

TRADE UP
Camera trade-in info.

QUICK FIX
Camera repair info.



Camera Model Super Colorpack IV



Year Introduced 1971

Suggested List Price \$42.95

International Name NA

Film Type(s) Color ISO 80 (Type 108, 669), ISO 100 (Type 679, 689)
B&W ISO 3000 (Type 107, 667)
B&W ISO 80 (Type 665 Pos/Neg) ISO 100 (Type 664)

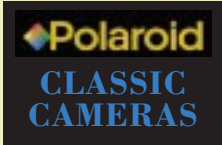
Battery (2)AA 1.5v

Flash Hi Power cube, now discontinued.

Description Non-folding pack camera. Viewfinder has distance finder. Developer spreaders should be replaced with rollers. Can be used for image or emulsion transfer.

TRADE UP
Camera trade-in info.

QUICK FIX
Camera repair info.



Camera Model Memory Maker

Year Introduced 1978

Suggested List Price \$24.95

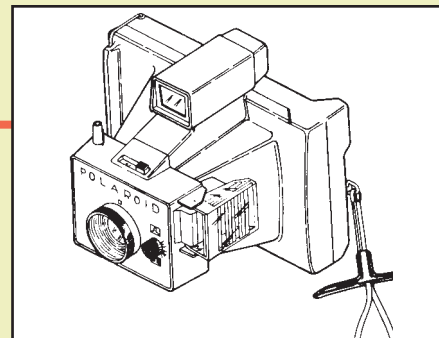
International Name NA

Film Type(s) Color ISO 80 (Type 108, 669), ISO 100 (Type 679, 689)
B&W ISO 80 (Type 665 Pos/Neg) ISO 100 (Type 664)

Battery (2)AA 1.5v

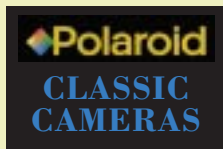
Flash Standard cube and Hi-Power cubes., both now discontinued.

Description Non-folding pack camera. "Special markets" version of the Minute Maker.



TRADE UP
Camera trade-in info.

QUICK FIX
Camera repair info.



Camera Model **Zip**

Year Introduced 1971

**Suggested
List Price** \$13.95

International Name EE 22, Swinger EE

Film Type(s) 3¼ x 3¾ pack film
B&W ISO 3000 (Type 87)

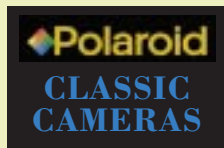
Battery (2)AA 1.5v

Flash Uses AG-1 bulbs. Polaroid Customer Service has information about availability.

Description Non-folding pack camera. Viewfinder shows a “yes” when exposure is correct. Uses only Type 87 film which is available in limited distribution.

TRADE UP
Camera trade-in info.

QUICK FIX
Camera repair info.



Camera Model Electric Zip

Year Introduced 1975

**Suggested
List Price** \$21.95

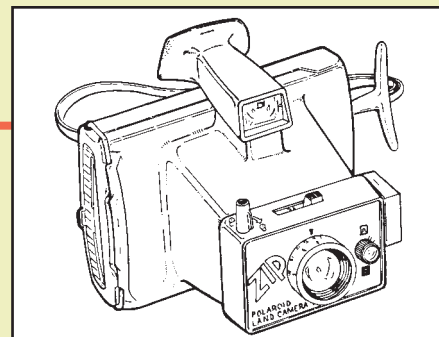
International Name Instant 20, EE 44, Super Color Swinger,
Super Color Swinger II, Colorpack 80, 82 & 85

Film Type(s) 3¹/₄ X 3³/₈ pack film
Color ISO 80 (Type 88)
B&W ISO 3000 (Type 87)

Battery (2)AA 1.5v

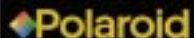
Flash Standard cube and Hi-Power cubes., both now discontinued.

Description Non-folding pack camera. Uses only Type 87 and Type 88 film which are available in limited distribution.



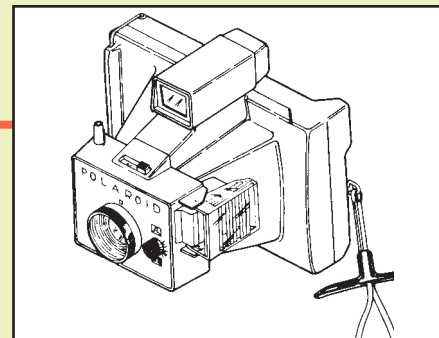
TRADE UP
Camera trade-in info.

QUICK FIX
Camera repair info.


**CLASSIC
CAMERAS**



Camera Model Square Shooter



Year Introduced 1971

**Suggested
List Price** \$34.95

International Name Instant 10, EE 33, EE 38

Film Type(s) 3¼ x 3¾ pack film
Color ISO 80 (Type 88)

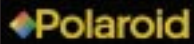
Battery (2)AA 1.5v

Flash Hi Power cube, now discontinued

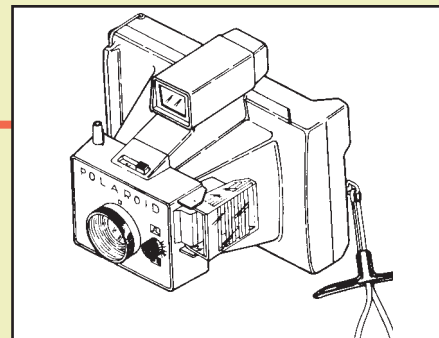
Description Non-folding pack camera. Black line in viewfinder is distance finder device. Uses only Type 88 film which is available in limited distribution.

TRADE UP
Camera trade-in info.

QUICK FIX
Camera repair info.


**CLASSIC
CAMERAS**



Camera Model**Square Shooter 2****Year Introduced**

1972

**Suggested
List Price**

\$24.95

International NameColor Swinger, Color Swinger II, Colorpack 88,
EE 88**Film Type(s)**3¼ x 3¾ pack film
Color ISO 80 (Type 88)**Battery**

(2)AA 1.5v

Flash

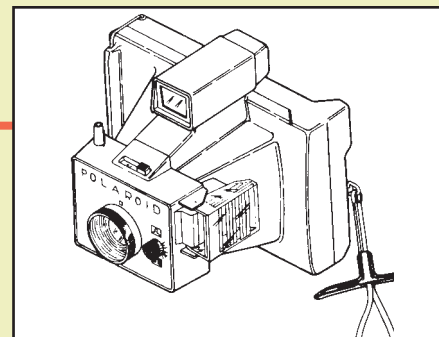
Standard Cube, now discontinued

Description

Non-folding pack camera. When red square in viewfinder covers subject's face, it indicates the prescribed distance for indoor shots. Uses only Type 88 film which is available in limited distribution.

TRADE UP
Camera trade-in info.**QUICK FIX**
Camera repair info.
**CLASSIC
CAMERAS**

Camera Model Square Shooter 4



Year Introduced 1972

**Suggested
List Price** \$24.95

International Name NA

Film Type(s) 3¼ x 3¾ pack film
Color ISO 80 (Type 88)

Battery (2)AA 1.5v

Flash Standard Cube, now discontinued

Description Non-folding pack camera. "Special markets" version of Square Shooter. When red square in viewfinder covers subject's face, it indicates the prescribed distance for indoor shots. Uses only Type 88 film which is available in limited distribution.

TRADE UP
Camera trade-in info.

QUICK FIX
Camera repair info.


**CLASSIC
CAMERAS**



Camera Model **Big Swinger**

Year Introduced 1968

Suggested List Price \$24.95

TRADE UP
Camera trade-in info.

International Name NA

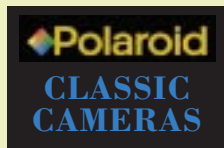
Film Type(s) 3¼ x 4¼ pack film
B&W ISO 3000 (Type 107, 667)

QUICK FIX
Camera repair info.

Battery (2)AA 1.5v

Flash AG1 or AG1B bulbs, both now discontinued.

Description Non-folding pack camera. Viewfinder shows a “yes” when exposure is correct. Developer spreaders should be replaced with rollers.





**CLASSIC
CAMERAS**



Roll Film Cameras

As the chart below indicates, Polaroid introduced its last Roll Film camera in 1965. The company no longer manufactures film for any of these cameras. Customers may trade in Roll Film cameras for current models. Click on the TRADE UP box for more information.

TRADE UP
Camera trade-in info.

Roll Film Model	Year Introd.	Sugg. Price
95	1948	\$89.75
110	1952	\$249.50
95A	1954	\$89.75
80 (Film Disc)	1954	\$69.95
100 Roll Film	1954	
700	1955	\$125.00
95B	1957	\$94.50
110A	1957	\$169.50
80A (Film Disc)	1957	\$72.75
150	1957	\$109.95
800	1957	\$126.00
80A (Film Disc)	1959	\$72.75
110B	1960	\$172.50
900	1960	\$159.95
850	1961	\$139.95
J66	1961	\$89.50
J33 (Film Disc)	1961	\$74.95
120	1961	
160	1962	
Swinger 20	1965	\$19.95
Swinger Sentinel	1965	\$18.45



Referrals for Repair and Conversion of Discontinued Pack and Roll Film Cameras

Repair Services are available for some discontinued pack film cameras. Customers should contact:

Precision Camera Repair
41 Sheridan Street
Chicopee Falls, MA 01020
1-80-665-6515 or 1-413-598-8005

Repair for Polaroid roll film cameras is not currently available.

Customer interested in conversion of pack or roll film cameras to accept current Polaroid instant films should contact:

Four Designs Corporation
20615 NE 22nd Avenue
Ridgefield, WA 98642
1-800-468-3399 or 1-360-887-1555

**Please exchange my camera for a
OneStep Close-up instant camera.**

Check or Money Order
(payable to Polaroid Corporation)

Charge Card

Bill my MasterCard Visa

Account # _____

Expiration Date _____

Signature _____

Name _____

Address _____

City _____

State _____ Zip _____

Telephone Number _____

**Polaroid Corporation
Camera Exchange Program
5601 Fulton Industrial Boulevard, SW
Atlanta, GA 30378**



<http://www.polaroid.com>

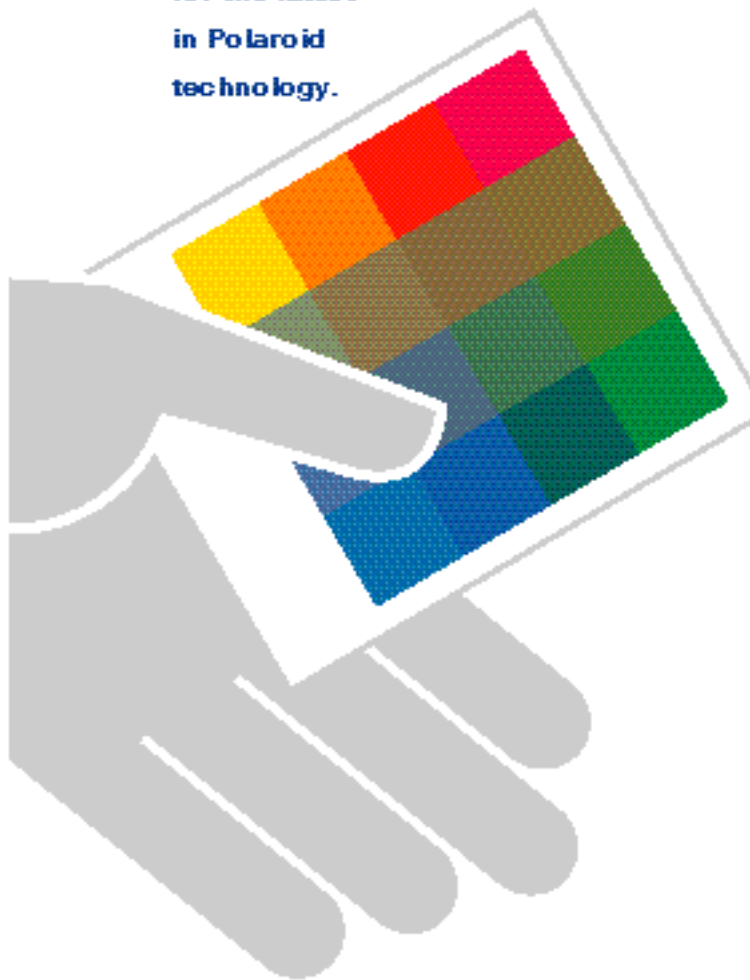
LD1187 PID# 1E2338C 7/98 *Polaroid,* *Polaroid HighDefinition* and
OneStep are registered trademarks of Polaroid Corporation, Cambridge,
MA Printed in U.S.A.

Camera Trade-In

trade

UP

**Exchange
your camera
for the latest
in Polaroid
technology.**



Trade in your camera for a superior Polaroid model.

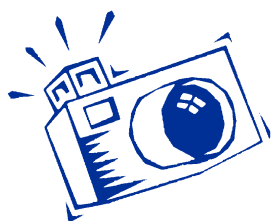
Taking colorful and clear photos is a snap with a OneStep Close-up instant camera.

Trade in your old camera and trade up for the ease and exceptional performance of a Polaroid factory-reconditioned camera that's backed by a new camera warranty. The OneStep Close-up features a built-in flash that will

save you time and money. And your new camera uses easy-to-find film sold in most photographic, drug, department and chain stores. Plus, with your trade-in, you'll receive a free pack of film to get you started taking better, brighter instant photos. Because inventory may vary, call us first to

confirm camera availability for exchange.

Then simply complete the information on the back panel.



Polaroid OneStep Close-up instant camera

\$25.95

with a FREE pack of film

(includes shipping, handling and sales tax)

- Fixed focus
- Built-in autoflash
- Flash range: 2 feet to infinity
- Motorized film ejection
- Neck strap
- One-year warranty
- Uses Polaroid 600 HighDefinition film and Polaroid Platinum 600 film

Call Polaroid's Customer Care Center toll-free, any weekday from 8am to 8pm EST



1-800-343-5000